

GALA

REGULATING SYSTEMS

USA

Complete Range of Water Valves



bravoindo

www.bravoindoperkasa.com

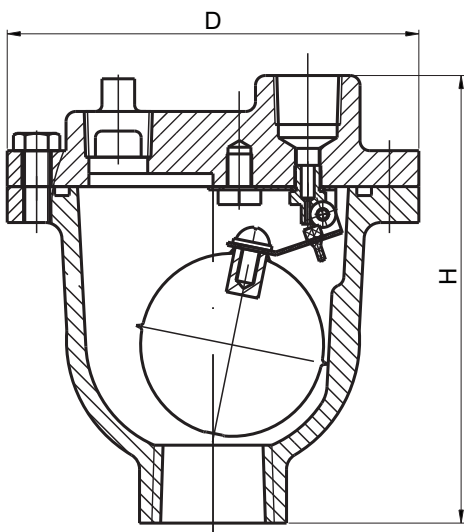
Superblock MGK Kemayoran Blok F No. 9

Jl. Angkasa Kav B6 Jakarta 10610

+6221 2907 0729 / 2937 1283

Email : sales@bravoindoperkasa.com

Fig. 9701



Pressure Temperature Ratings

Working pressure	16bar
Testing Pressure	Shell:24bar
	Seal:17.6bar
Working Temperature	-10°C to 100°C

Material Specification

Part	Material	ASTM Spec.
Body	Cast Iron	A126 Class B
	Ductile Iron	A536 65-45-12
Cover	Cast Iron	A126 Class B
	Ductile Iron	A536 65-45-12
Level	Stainless Steel 304	S30400
Seat Ring	Stainless Steel 304	S30400
Float	Stainless Steel 304	S30400
Float Arm	Stainless Steel 304	S30400
Orifice Button	Viton	Commercial

Dimensions

DN		Inlet	Outle	Orifice	D	H
mm	inch					
15	1/2	15	15	1.6	125	137
20	3/4	20	15	1.6	125	137
25	1	25	15	1.6	125	137

Fig. 3246



Valve Standard :

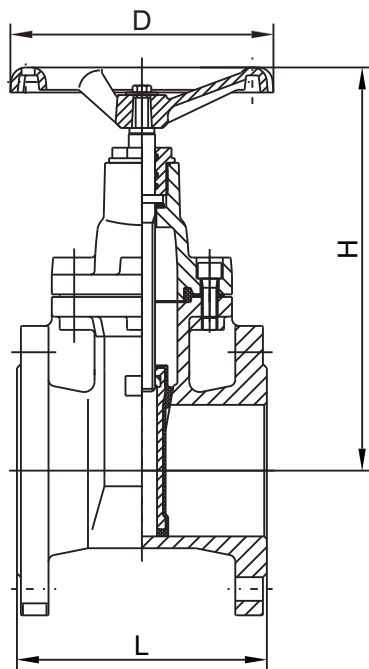
Comply with DIN 3352 (F4)

Pressure Temperature Ratings

Working pressure	16bar
Testing Pressure	Shell:24bar
	Seal:17.6bar
Working Temperature	-20°C to 110°C EPDM
	-10°C to 80°C NBR

Material Specification

Part	Material	EN Spec.
Body	Cast Iron	EN-JL1040
	Ductile Iron	EN-JS1050
Bonnet	Cast Iron	EN-JL1040
	Ductile Iron	EN-JS1050
Disc	EPDM Coated DI	EN-JS1050
Stem	Stainless Steel	BS970 420S37
Gasket	NBR	Commercial
Hand Wheel	Ductile Iron	EN-JS1050



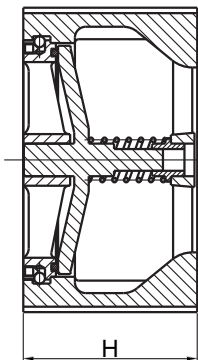
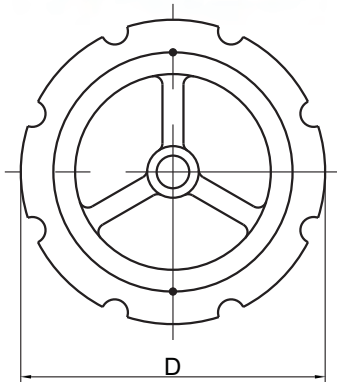
Dimensions

DN	mm	50	65	80	100	125	150	200	250	300	350	400	450	500	600
	inch	2	2-1/2	3	4	5	6	8	10	12	14	16	18	20	24
L		150	170	180	190	200	210	230	250	270	290	310	330	350	390
H		195	222	251	282	340	379	461	559	639	762	836	957	1036	1188
D		160	200	200	200	250	250	320	370	370	450	450	640	640	640

CLASS 125/CLASS250/
PN 16/PN25/JIS 10K/JIS16K

Wafer Type Silent Check Valve

Fig. 5312



Pressure Temperature Ratings

Working pressure	16bar/25bar
Testing Pressure	Shell:24bar/37.5bar Seal:17.6bar/27.5bar
Working Temperature	-20°C to 110°C EPDM -10°C to 80°C NBR
Suitable Media	Water,Oil&Gas

Material Specification

Part	Material	ASTM Spec.
Body	Cast Iron	A126 Class B
	Ductile Iron	A536 65-45-12
Disc	Stainless Steel 304	A351 CF8
	Bronze	B62 C83600
Seat	Stainless Steel 304	A351 CF8
	Bronze	B62 C83600
Seat Ring	EPDM / NBR	Commercial
Bushing	Bronze	B62 C83600
Spring	Stainless Steel 304	S30400

Dimensions

DN	mm	50	65	80	100	125	150	200	250	300	350
	inch	2	2-1/2	3	4	5	6	8	10	12	14
D		108	127	150	167	213	248	340	410	415	478
H		67	73	80	102	118	140	165	210	286	350

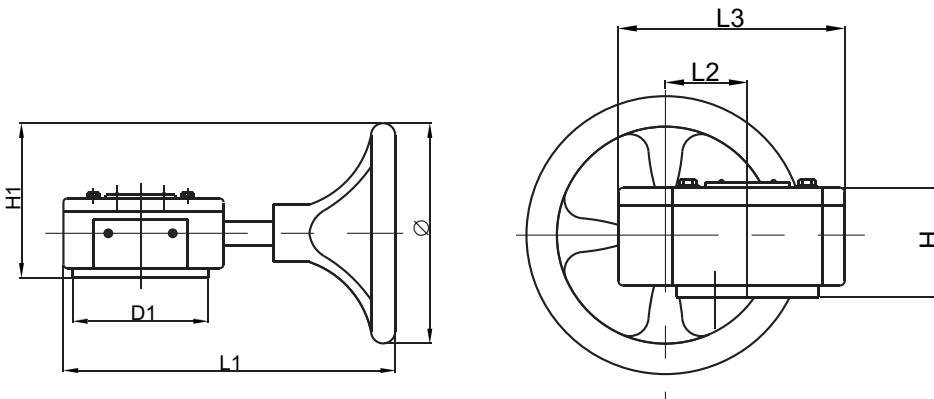
Gear Box

1-Stage Transmission



Material Specification

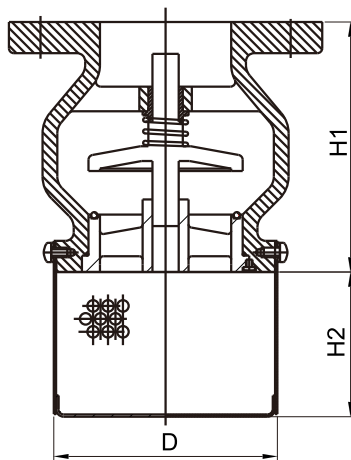
Part	Material
Housing	Cast Iron
Cover	Cast Iron
Worm	Carbon Steel
Worm Gear	Ductile Iron
Shaft	Carbon Steel
Handwheel	Cast Iron



Dimensions

Model	Valve Type		Dimensions								Output Torque (N. M)	Rate
	Concentric Valve Size inch mm	Eccentric Valve Size inch mm	D1	Ø	H	H1	L1	L2	L3			
3D-15	2-6	2-5	108	145	65	113	212	45	129	200	24:1	
	50-150	50-125										
3D-50	8-10	6-8	146	285	70	182	305	62	171	500	30:1	
	200-250	150-200										
3D-120	12-14	10-12	165	285	77	182	300	85	198	1200	50:1	
	300-350	250-300										
XJ80	16-18	14-16	234	385	103	247	423	120	280	2500	80:1	
	400-450	350-400										
XJ300	20-24	18-20	276	385	143	270	490	122	316	4000	293.5:1	
	500-600	450-500										

Fig. 1120



Pressure Temperature Ratings

Working pressure	16bar/25bar
Testing Pressure	Shell:24bar/37.5bar
	Seal:17.6bar/27.5bar
Working Temperature	-20°C to 110 °C EPDM
	-10°C to 80 °C NBR
Suitable Media	Water,Oil&Gas

Material Specification

Part	Material	ASTM Spec.
Body	Cast Iron	A126 Class B
	Ductile Iron	A536 65-45-12
Disc	Stainless Steel	A351 CF8
	Bronze	B62 C83600
	Ductile Iron	A536 65-45-12
Seat	Stainless Steel	A351 CF8
	Bronze	B62 C83600
Seat Ring	EPDM / NBR	Commercial
Bushing	Bronze	B62 C83600
Spring	Stainless Steel	AISI 304
Screen	Stainless Steel	AISI 304

Note :
DI Body For PN16&Class 250

Dimensions

DN	mm	50	65	80	100	125	150	200	250	300	350	400	450	500	600
	inch	2	2-1/2	3	4	5	6	8	10	12	14	16	18	20	24
H1		133	140	152	185	216	229	257	393	362	400	448	476	524	610
H2		68	93	108	138	163	189	208	238	260	270	290	315	340	365
D		114	130	144	177	203	237	290	330	383	470	516	570	630	740

CLASS 125/ CLASS 250/
PN16/PN25/JIS 10K/JIS 16K

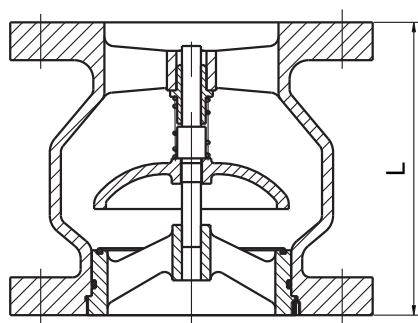
Globe Type Silent Check Valve

Fig. 5104



Valve Standard:

Epoxy Coated, Flanged to ANSI Class 125,
BS 4504 PN16



Pressure Temperature Ratings

Working pressure	16bar/25bar
Testing Pressure	Shell:24bar/37.5bar Seat:17.6bar/27.5bar
Working Temperature	-20°C to 110°C EPDM -10°C to 80°C NBR
Suitable Media	Water,Oil&Gas

Material Specification

Part	Material	ASTM Spec.	BS
Body	Cast Iron	A126 Class B	1452 Gr.220
	Ductile Iron	A536 65-45-12	1563 EN-JS1040
Disc	Ductile Iron	A536 65-45-12	1563 EN-JS1040
	Bronze	B62 C83600	1400 LG2
	SS 304	A351 CF-8	970 304S15
	SS 316	A351 CF-8M	970 316S16
Seat	Ductile Iron	A536 65-45-12	1563 EN-JS1040
	Bronze	B62 C83600	1400 LG2
	SS304	A276 S 304 00	970 304S15
Seat Ring	SS316	A276 S 316 00	970 304S16
	EPDM / NBR	Commercial	
Bushing	Bronze	B62 C83600	1400 LG2
Spring	SS316	S31600	970 316S16
	SS304	S30400	970 304S15
Stem	SS 410	A276 S 410 00	970 410 S21
	SS 431	A276 S 431 00	970 431 S29
	Bronze	B62 C83600	1400 LG2

Dimensions

DN	mm	50	65	80	100	125	150	200	250	300	350	400	450	500	600
	inch	2	2-1/2	3	4	5	6	8	10	12	14	16	18	20	24
L		133	140	152	185	216	229	257	393	362	400	448	476	524	610

Fig. 3123



Valve Standard :

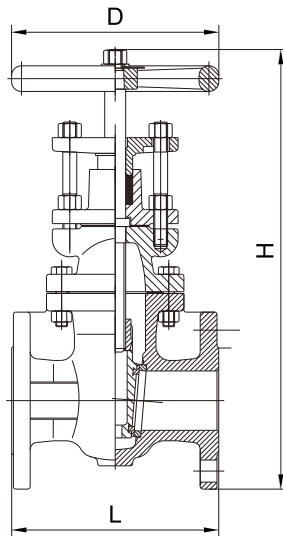
Comply with EN 1171 (BS 5150) & MSS SP-70

Pressure Temperature Ratings

Working pressure	16bar
Testing Pressure	Shell:24bar Seal:17.6bar
Working Temperature	-10 to 120

Material Specification

Part	Material	ASTM
Body	Cast Iron	A126 Class B
Bonnet	Cast Iron	A126 Class B
Disc	Cast Iron	A126 Class B
Seat Ring	Bronze	B62 C83600
Stem	Brass	B16 C36000
	Stainless Steel 420	S42000
Packing	Graphite	Non-Asbestos
Hand	Cast Iron	A126 Class B



Dimensions

DN	mm	50	65	80	100	125	150	200	250	300	350	400	450	500	600
	inch	2	2-1/2	3	4	5	6	8	10	12	14	16	18	20	24
L		178	190	203	229	254	267	292	330	356	381	406	432	457	508
H		302	332	335	423	485	545	644	769	860	987	1044	1148	1257	1418
D		178	178	200	254	300	300	348	400	457	560	560	610	610	765

Fig. 3126



Valve Standard :

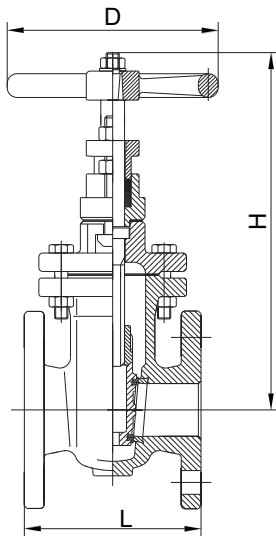
Comply with DIN 3352 (F4)

Pressure Temperature Ratings

Working pressure	10bar
Testing Pressure	Shell:15bar Seal:11bar
Working Temperature	-10°C to 120°C

Material Specification

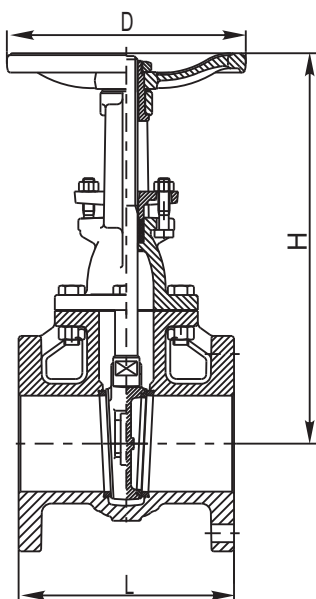
Part	Material	EN Spec.
Body	Cast Iron	EN-JL1040
Bonnet	Cast Iron	EN-JL1040
Disc	Cast Iron	EN-JL1040
Seat Ring	Brass	EN 12165 W603N
Stem	Stainless Steel 420	17440X20Cr13
Packing	Graphite	Non-Asbestos
Hand Wheel	Cast Iron	EN-JL1040



Dimensions

DN	mm	40	50	65	80	100	125	150	200	250	300	350	400
	inch	1-1/2	2	2-1/2	3	4	5	6	8	10	12	14	16
L		140	150	170	180	190	200	210	230	250	270	290	310
H		271	291	321	360	378	451	489	573	708	764	970	940
D		160	160	160	160	200	250	250	250	320	320	400	400

Fig. 3113



Valve Standard :

Comply with EN 1171 (BS 5150) & MSS SP-70
Rising Stem, Outside Screw and Yoke, Epoxy coated,
flanged to ANSI Class125, BS4504 PN 16, JIS 10K

Pressure Temperature Ratings

Working pressure	16bar
Testing Pressure	Shell:24bar Seat:17.6bar
Working Temperature	-10°C to 120°C
Suitable Media	Water, Oil & Gas

Material Specification

Part	Material	ASTM	BS
Body	Cast Iron	A126 Class B	1452 Gr.220
	Ductile Iron	A536 65-45-12	1563 EN-JS1040
Bonnet	Cast Iron	A126 Class B	1452 Gr.220
	Ductile Iron	A536 65-45-12	1563 EN-JS1040
Disc	Cast Iron	A126 Class B	1452 Gr.220
	Ductile Iron	A536 65-45-12	1563 EN-JS1040
	Bronze	B62 C83600	1400 LG2
	SS304	A351 CF-8	970 304S15
	SS316	A351 CF-8M	970 316S16
Seat Ring	Bronze	B62 C83600	1400 LG2
Body Ring	Bronze	B62 C83600	1400 LG2
Stem	Brass	B16 C36000	2874 CZ 124
	SS420	A276 S42000	970 420S37
Packing	Graphite	Non-Asbestos	
Hand Wheel	Cast Iron	A126 Class B	1452 Gr.220
	Ductile Iron	A536 65-45-12	1563 EN-JS1040

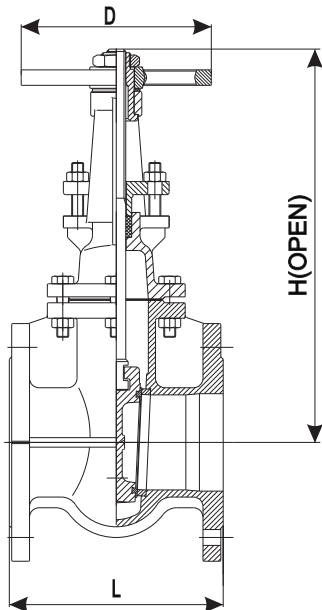
Dimensions

DN	mm	50	65	80	100	125	150	200	250	300	350	400	450	500	600
	inch	2	2-1/2	3	4	5	6	8	10	12	14	16	18	20	24
L		177.8	190	203.2	228.6	254	266.7	292.1	330.2	355.6	381	406.4	432	457	508
H(Close)		311	347	384	490	541	656	778	933	1102	1259	1395	1560	1708	1990
D		178	178	200	254	300	300	348	400	457	560	560	610	610	765

CLASS 125/PN10/PN16/JIS 10K

OS & Y Metal Seated Gate Valve

Fig. ORGV3213 (PN 10)
Fig. ORGV3214 (PN 16)



Valve Standard :
Comply with DIN 3352 F4

Pressure Temperature Ratings

Working pressure	10bar/16bar
Testing Pressure	Shell:15bar/24bar
	Seal:11bar/17.6bar
Working Temperature	-10°C to 120°C

Material Specification

Part	Material	EN Spec.
Body	Cast Iron	EN-JL1040
	Ductile Iron	EN-JS1050
Bonnet	Cast Iron	EN-JL1040
	Ductile Iron	EN-JS1050
Disc	Cast Iron	EN-JL1040
	Ductile Iron	EN-JS1050
Seat Ring	Brass	EN 12165 W603N
Stem	Stainless Steel 420	BS970 420S37
Packing	Graphite	Non-Asbestos
Hand Wheel	Cast Iron	EN-JL1040

Note :
DI Body For PN16

Dimensions

DN	mm	40	50	65	80	100	125	150	200	250	300
	inch	1-1/2	2	2-1/2	3	4	5	6	8	10	12
L		140	150	170	180	190	200	210	230	250	270
H		295	315	371	424	500	598	711	901	1093	1273
D		160	160	160	160	200	200	250	250	320	320

GENERAL PRESSURE GAUGE-G SERIES



GALA G series pressure gauge is designed and used for pressure measurement for various industries. This durable gauge is ideal for services on water, air, oil and other pressure media not corrosive to brass.

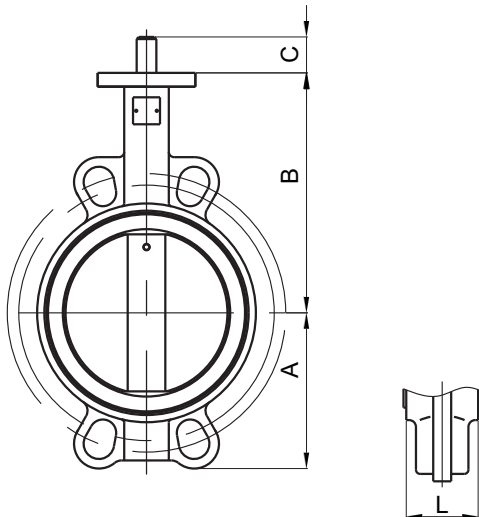
PRODUCT CODE

Range	Fig no.
-1 ~ 4bar	G4
0 ~ 7bar	G7
0 ~ 10bar	G10
0 ~ 16bar	G16
0 ~ 20bar	G20

SPECIFICATION

Nominal Diameter	2 ¹ / ₂ " (65mm), 4" (100mm)
Dial	White aluminium with black & red markings
Case	Steel, Painted Black
Lens	Glass
Pointer	Aluminium, Painted Black
Socket	Brass
Connection	1/4" (2 ¹ / ₂ " Dial), 3/8" (4" Dial) BSP Bottom Entry
Movement	Brass
Operating Pressure	75% of Full Scale Value
Ambient Temperature	-10°C to 60°C
Protection	IP 43
Accuracy Class	2.5 for 2 ¹ / ₂ ", 1.6 for 4"

Fig. CWBV2302



Valve Standard :

Comply with ISO 5752/BS 5155/
BS EN 593/MSS SP-67/API 609

Pressure Temperature Ratings

Working pressure	16bar/25bar
Testing Pressure	Shell:24bar/37.5bar
	Seal:17.6bar/27.5bar
Working Temperature	-20°C to 110°C EPDM Seat
	-10°C to 80°C NBR Seat
Suitable Media	Water, Oil&Gas

Material Specification

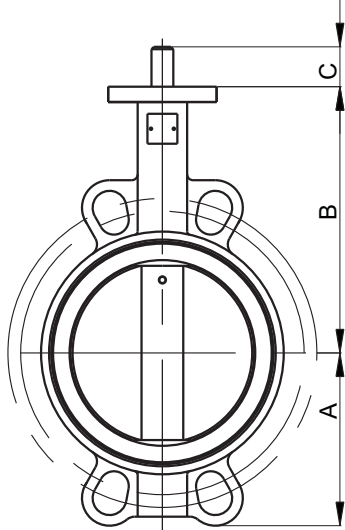
Part	Material	ASTM
Body	Cast Iron	A126 Class B
	Ductile Iron	A536 Gr. 65-45-12
Disc	Ductile Iron	A536 Gr. 65-45-12
	Bronze	B148 C95400
	Stainless Steel 304	A351 CF-8
	Stainless steel 316	A351 CF-8M
Shaft	Stainless Steel 410	A276 S 410 00
	Stainless Steel 431	A276 S 431 00
Seat Ring	EPDM / NBR	
O-Ring	EPDM / NBR	
Bushing	PTFE	
	Bronze	B62 C83600

Dimensions

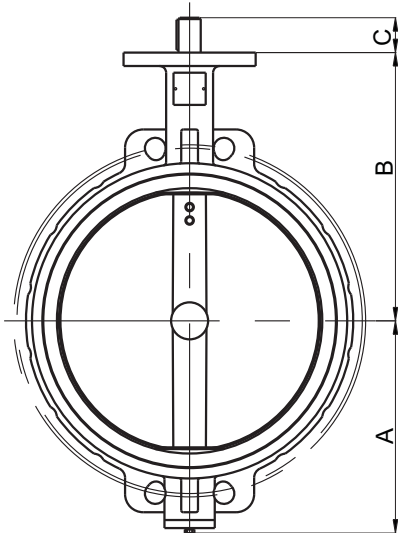
DN	mm	40	50	65	80	100	125	150	200	250	300	350	400
	inch	1-1/2	2	2-1/2	3	4	5	6	8	10	12	14	16
	A	68	80	89	95	114	127	139	175	203	242	267	316
	B	110	161	175	181	200	213	226	260	292	337	368	400
	C	24	30	30	30	30	30	30	34	34	34	40	52
	L	33	42	45	45	51	55	55	60	67	76	76	102

DN	mm	450	500	550	600	650	700	750	800	900	1000	1200	-
	inch	18	20	22	24	26	28	30	32	36	40	48	-
	A	334	370	433	468	484	530	565	602	661	724	869	-
	B	422	480	533	562	540	626	660	666	722	806	938	-
	C	52	64	70	70	70	95	95	95	130	130	150	-
	L	114	127	151	151	172	165	167	188	203	216	276	-

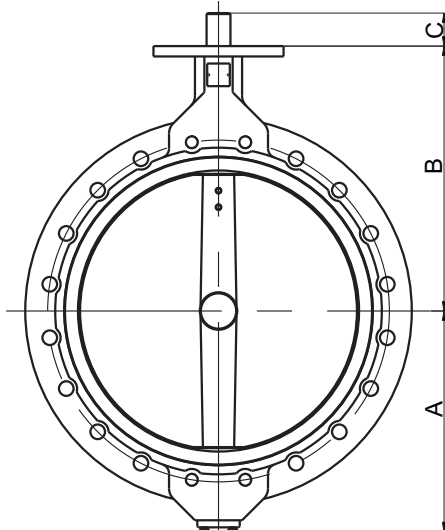
Appearance



Fit DN40-DN350 Wafer Butterfly valves

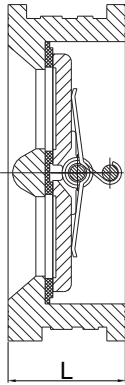


Fit DN400-DN500 Wafer Butterfly valves



Fit DN550-DN1200 Wafer Butterfly valves

Fig. DDCV5306 (DIN3202)
DDCV5307 (API 594)



Valve Standard :
Comply with DIN 3202/API 594

Pressure Temperature Ratings

Working pressure	16bar/25bar
Testing Pressure	Shell:24bar/37.5bar
	Seal:17.6bar/27.5bar
Working Temperature	-20°C to 110°C EPDM
	-10°C to 80°C NBR
Suitable Media	Water,Oil&Gas

Material Specification

Part	Material	ASTM Spec.
Body	Cast Iron	A126 Class B
	Ductile Iron	A536 65-45-12
	Stainless Steel 316	A351 CF8M
	Stainless Steel 316	S31600
	Carbon Steel	A216 WCB
Disc	Ductile Iron	A536 65-45-12
	Aluminum Bronze	B584 C95400
	Stainless Steel 304	A351 CF8
	Stainless Steel 316	A351 CF8M
Stem	Stainless Steel 316	S31600
Seat-Ring	EPDM / NBR	Commercial
Spring	Stainless Steel 316	S31600
	Stainless Steel 304	S30400

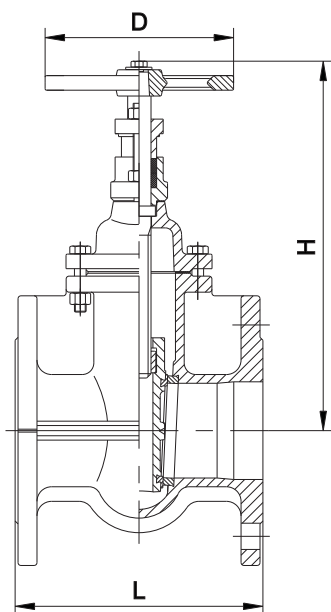
Dimensions

DN	mm	40	50	65	80	100	125	150	200	250
	inch	1-1/2	2	2-1/2	3	4	5	6	8	10
L (DIN3202)		43	43	46	64	64	70	76	89	114
L (API594)		-	54	60	67	67	83	95	127	140

DN	mm	300	350	400	450	500	600	700	800	—
	inch	12	14	16	18	20	24	28	32	—
L (DIN3202)		114	127	140	152	152	178	229	241	—
L (API594)		181	184	191	203	213	222	305	305	—

CLASS 125/PN10/PN16/JIS 10K NRS Metal Seated Gate Valve

Fig. NRGV3125 (PN 10)
Fig. NRGV3126 (PN 16)



Valve Standard :

Comply with DIN 3352 (F4)

Pressure Temperature Ratings

Working pressure	10bar/16bar
Testing Pressure	Shell:15bar/24bar Seal:11bar/17.6bar
Working Temperature	-10°C to 120°C

Material Specification

Part	Material	EN Spec.
Body	Cast Iron	EN-JL1040
	Ductile Iron	EN-JS1050
Bonnet	Cast Iron	EN-JL1040
	Ductile Iron	EN-JS1050
Disc	Cast Iron	EN-JL1040
	Ductile Iron	EN-JS1050
Seat Ring	Brass	EN 12165 W603N
Stem	Brass	EN 12165 W603N
	Stainless Steel 420	BS970 420S37
Packing	Graphite	Non-Asbestos
Hand Wheel	Cast Iron	EN-JL1040

Note :

DI Body For PN16

Dimensions

DN	mm	40	50	65	80	100	125	150	200	250	300
	inch	1-1/2	2	2-1/2	3	4	5	6	8	10	12
L		140	150	170	180	190	200	210	230	250	270
H		245	255	277	303	340	387	454	538	629	730
D		130	130	130	150	185	185	195	225	245	285

Fig. ORGLV6125



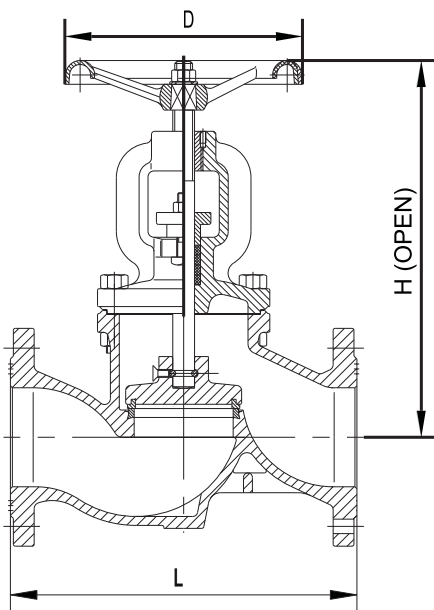
Valve Standard :
Comply with DIN 3356

Pressure Temperature Ratings

Working pressure	16bar
Testing Pressure	Shell:24bar Seal:17.6bar
Working Temperature	-10°C to 120°C
Suitable Media	Water,Oil&Gas

Material Specification

Part	Material	EN Spec.
Body	Cast Iron	EN-JL 1040
Bonnet	Cast Iron	EN-JL 1040
Disc	Stainless Steel 420 (15-50mm) Cast Iron (65-300mm)	BS970 420S37 EN-JL 1040
Disc Ring	Stainless Steel 420	BS970 420S37
Seat Ring	Stainless Steel 420	BS970 420S37
Stem	Stainless Steel 420	BS970 420S37
Packing	Graphite	Non-Asbestos
Hand Wheel	Cast Iron	EN-JL 1040



Dimensions

DN	mm	15	20	25	32	40	50	65	80	100	125	150	200	250	300
	inch	1/2	3/4	1	1-1/4	1-1/2	2	2-1/2	3	4	5	6	8	10	12
L		130	150	160	180	200	230	290	310	350	400	480	600	730	850
H (open)		183	191	216	255	277	304	335	380	426	480	555	660	749	965
D		100	100	120	120	140	140	200	200	240	280	315	360	400	400

CLASS 125 /PN 16 /JIS 10K Flange Type Swing Check Valve

Fig. SCCV5101

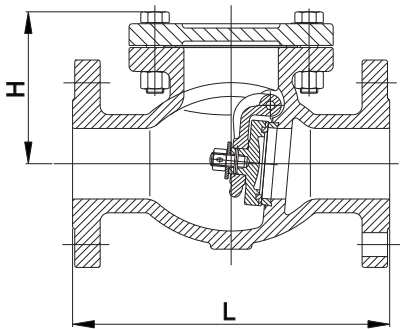


Valve Standard :

Comply with EN 12334(BS 5153) & MSS SP-71

Pressure Temperature Ratings

Working pressure	16bar
Testing Pressure	Shell:24bar
	Seal:17.6bar
Working Temperature	-10°C to 120°C
Suitable Media	Water,Oil&Gas



Material Specification

Part	Material	ASTM Spec.
Body	Cast Iron	A126 Class B
Disc	Cast Iron	A126 Class B
Seat Ring	Bronze	B62 C83600
Disc Ring	Bronze	B62 C83600

Dimensions

DN	mm	50	65	80	100	125	150	200	250	300	350	400	450	500	600
	inch	2	2-1/2	3	4	5	6	8	10	12	14	16	18	20	24
L		203	216	241	292	330	356	495	622	699	787	914	914	1016	1219
H		112	132	141	162	192	211	270	316	357	560	589	645	702	812

Fig. SYS7101



Material Specification

Part	Material	ASTM Spec.
Body	Cast Iron	A126 Class B
	Ductile Iron	A536 65-45-12
Cover	Cast Iron	A126 Class B
	Ductile Iron	A536 65-45-12
Screen	Stainless Steel 304	S30400
Blow-Off Plug	Carbon Steel	

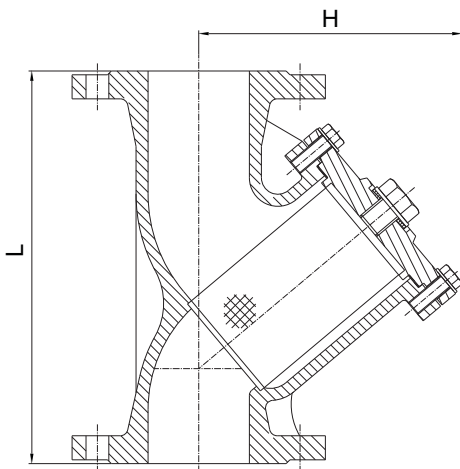
Working pressure:

16bar/25bar

Note:

CI Body For PN16 & Class 125

DI Body For PN25 & Class 250



Material Specification

Size (mm)	Hole Dia. (mm)	Free Flow Area (inch ²)
50~150	1.5	104
200~350	2.5	26
400~600	3.5	22

Dimensions

DN	mm	50	65	80	100	125	150	200	250	300	350	400	450	500	600	650
	inch	2	2-1/2	3	4	5	6	8	10	12	14	16	18	20	24	26
L		230	290	310	350	400	480	600	730	850	980	1100	1200	1250	1450	1550
H		160	180	215	235	275	305	390	540	680	740	845	838	908	1078	1100